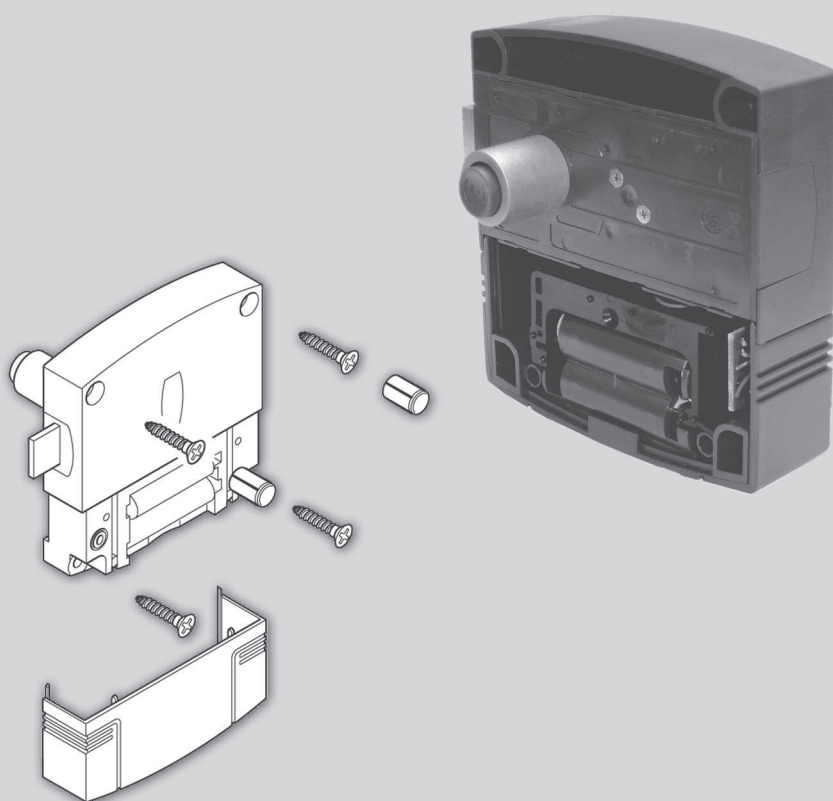


Montage- und Bedienungsanleitung
Mounting and Operating Instructions
Instructions de service et de montage
Istruzioni di montaggio ed uso
Instrucciones de montaje y de servicio

dialock
HÄFELE

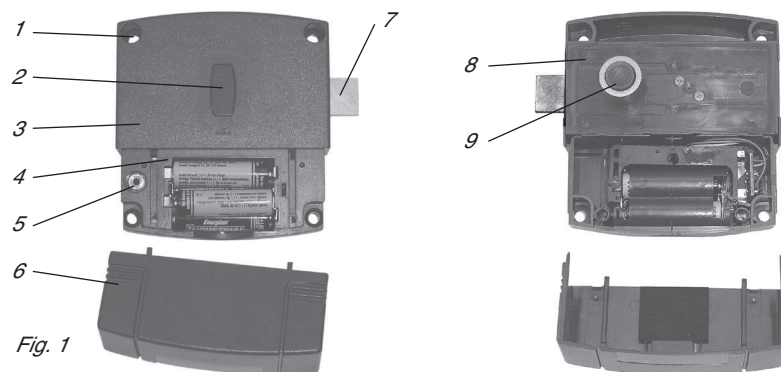


LockerLock (D)
LockerLock (GB)
LockerLock (F)
LockerLock (I)
LockerLock (E)

Contents

Supplied with	24
Areas of application	26
Technical Information	26
Installation	27
Demontage	33
Setting into Operation	34
Brief User Manual	35
Changing batteries	38
Standards and regulations	39
Specifications	39
Care and Maintenance	40

Supplied with



LockerLock casing (1 piece)

- 1 Fixing holes
- 2 Window with LED
- 3 LockerLock casing
- 4 Battery hold
- 5 Socket for data cable (art. no. 917.90.262) with 3.5 mm jack plug for exchange of data between LockerLock and Dialock MDU. See operating instructions for Dialock MDU (art. no. 732.29.182).
- 6 Battery hold cover
- 7 Locking latch
- 8 Lock casing
- 9 Push-button

Accessories

Cover plugs (2 pieces)

LockerLock can be used on doors with hinges on the left or right. The manufacturer's setting is for doors with hinges on the right.

Accessories, not included in standard set:

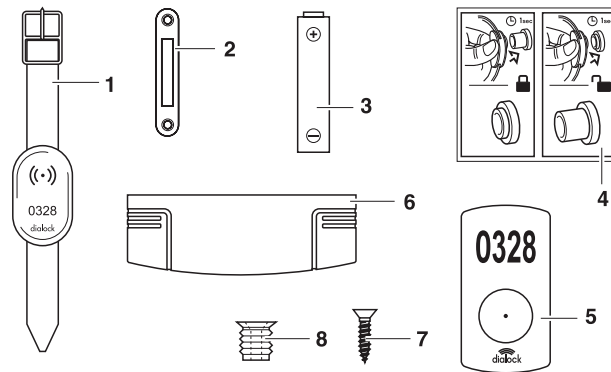


Fig. 2

- 1 Electronic key
- 2 Striking plate
- 3 Batteries: 4 pieces AA 1.5 Volts type E91 (recommended: Energizer™)
- 4 Operating instructions (1 piece)
- 5 Number plate, with number or blank (1 piece)
- 6 Maintenance tool for LockerLock

Mounting material

- 7 Screws (4 pieces, according to mounting type)
- 8 Screw-in/glue-in sleeves (4 pieces)

The article numbers can be found in the Technical Information Dialock.



If these instructions are disregarded, malfunctions may occur which may make it necessary to open the door by force.

It is necessary to read the section „Commissioning“ in this manual before the actual commissioning (assigning of keys) takes place.

Areas of application

English

The LockerLock furniture lock is used for all common cabinet types (e.g. wardrobes, hall cupboards, and lockers).

LockerLock is mounted at the inside of the door panel.

An electronic circuit controlling the locking mechanism is built into the LockerLock casing. The locking mechanism is battery-powered, it is operated by the electronic keys.

In order to lock and unlock the door, the LockerLock push-button at the front side of the door panel must be pushed with an authorised electronic key.

Technical Information

Within the *Basic Solution*, LockerLock is delivered in *Stand Alone* mode. In this mode, locking authorisations can be assigned to up to 30 electronic keys with a special programming key directly at the LockerLock. The locking authorisations are also withdrawn from authorised electronic keys with a deletion key directly at the LockerLock.

Furthermore, by means of the info terminal the Wellness function can be added to the LockerLock via a configuration transponder.

Please contact your Dialock dealer if you want to employ another mode of operation.

Components necessary for commissioning

- LockerLock
- Programming key and deletion key stick
- Electronic key
- 4 batteries AA 1.5 Volts type E91

Installation

Preconditions:

- Panel thickness 13 - 19 mm
 - Recommended door width:
 - Standard value for inset doors: min. 305 mm
 - Standard value for overlay doors: min. 140 mm
 - Mounted striking plate or striking angle
 - Distance between push-button centre and door panel edge:
 - for inset doors: 32 mm
 - for overlay doors: 34 + U mm (U: projection of door)
- We generally recommend a trial installation before series manufacturing in order to check the dimensions.

English

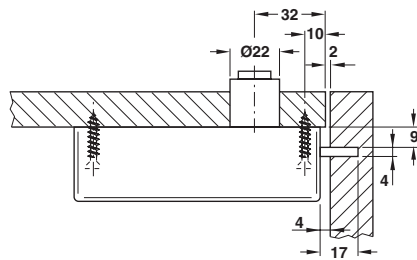


Fig. 3 Horizontal projection with inset door panel

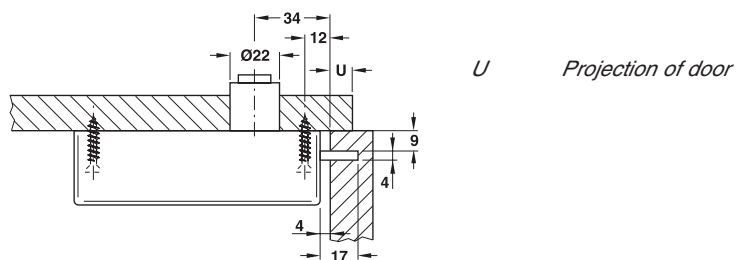


Fig. 4 Horizontal projection with overlay door panel

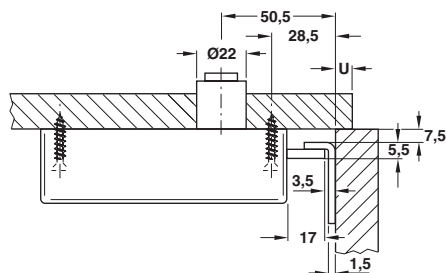


Fig. 5 Horizontal projection with overlay door panel with striking angle

Required tools and mounting material:

- Drilling template/gluing aid
- Drill
- Screwdriver
- Ruler
- Awl
- For mounting on wooden and HPL (High Pressure Laminate) door panels:
 - 4 wood screws ABC Spax 5 x 25 mm
 - Wood drill Ø 22 mm
 - Drill for wood screws ABC Spax 5 x 25 mm
- For mounting on heavy-duty wooden and HPL (High Pressure Laminate) door panels, or doors which are frequently used:
 - 4 countersunk screws M5 x 25 mm
 - 4 screw-in sleeves or glue-in sleeves M5
 - Wood drill Ø 22 mm
 - Wood drill Ø 8 mm or Ø 10 mm, according to sleeves used



Depending on design and construction, metallic doors may affect the electronic function of the LockerLock. It should be tested on the actual door before installation, to ensure that it functions reliably.

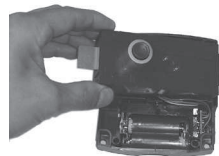
⇒ Before installing, ensure that the preliminary test has been carried out and the LockerLock approved for use with your door.

- For mounting on steel door panels:
 - 4 countersunk screws M5 x 25 mm
 - Steel drill Ø 22 mm

Adapting the LockerLock for doors hinged on the left

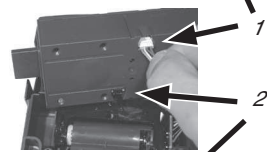
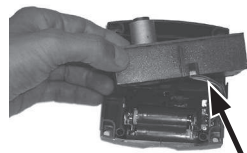


The LockerLock is supplied for doors hinged on the right. For doors hinged on the left, the lock plate has to be adjusted as shown in the diagrams.

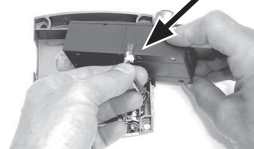


Caution!
Do not crush the cable!

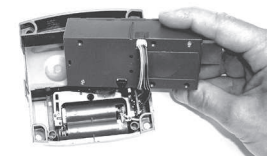
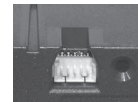
Remove the plate from the LockerLock casing.



Pull the cable plug (1) carefully out of the lock plate.



Turn the plate to the right as shown in the diagram and push the plug into the socket (2).



Replace the lock plate in the LockerLock housing.



Lay the cable into the LockerLock housing ensuring that it is not kinked and does not project.

The lock bolt now points to the other side (to the right in the diagram).

Mounting LockerLock

Zur MonThree steps are required to mount LockerLock:

- Drilling a hole for the push-button into the door panel
- Drilling holes for the screws into the door panel
- Fixing LockerLock to the door panel

Mounting on wooden and HPL (High Pressure Laminate) doors is described below.

The drawings refer to doors hinged on the right side.



Condensation water precipitating on cold components can damage the door locking system.

⇒ Make sure all components have ambient temperature.

Drilling a hole for the push-button into the door panel

1. Mark the centre point of the push-button hole on the door panel. (Drilling templates are provided with this manual).
2. Make sure the centre points of the striking plate and the push-button hole are at the same height of the door panel.
3. Consider the distance of the push-button hole to the door panel edge according to the door panel type (inset or overlay).
4. Drill a hole for the push-button into the door panel with $\varnothing 22$ mm, using an appropriate drill bit.

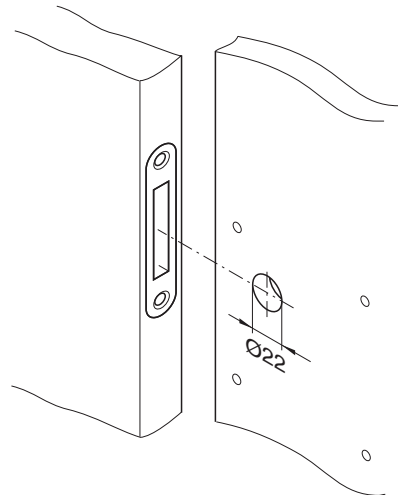


Fig. 9

Drilling holes for the screws into the door panel

1. Mark to size 4 points for the screw holes on the door panel. (Drilling templates are provided with this manual.)
2. Remove the cover of the battery hold with the maintenance tool (page 38):
3. Hold LockerLock to the inside of the door panel in such a way that the push-button projects through the respective hole. Check that the points for the screw holes on the door panel correspond to the fixing holes in LockerLock.

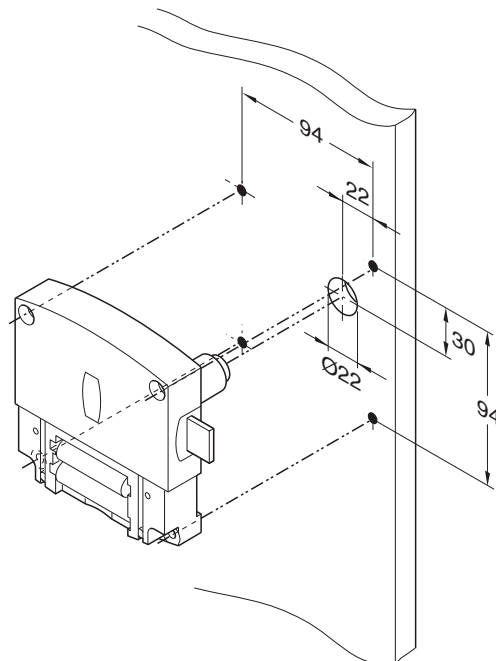


Fig. 10

4. Remove LockerLock from the door panel.
5. Drill holes for 4 screws into the door panel, using an appropriate drill bit. If you use sleeves, consider the respective diameter when drilling holes.

Fixing LockerLock to the door panel

1. Hold LockerLock to the inside of the door panel in such a way that the push-button projects through the respective hole.
2. Tighten the screws in the door panel with the screwdriver through the fixing holes.
3. Push cover plugs into the fixing holes in order to hide the screws.
4. Insert 4 batteries (AA 1.5 Volts type E91) into the battery hold. Make sure the polarity is correct!
5. Push the cover onto the battery hold.
6. Stick the number plate, with number or blank and the instructions for use onto the outside of the door panel, parallel to the door edge, as shown. (Gluing aids are provided with this manual.) Make sure the surface of the door panel is dry, clean, and non-greasy.

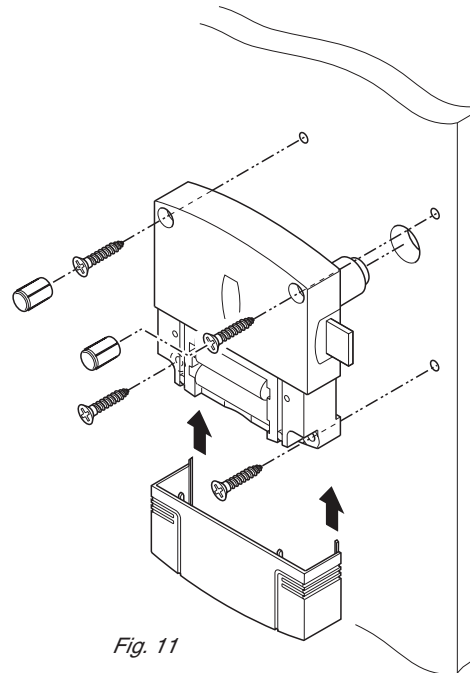


Fig. 11

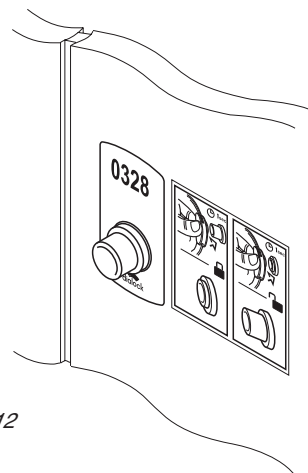


Fig. 12

Demontage

Required tools:

- Cordless screwdriver
- Drill Ø 3 mm
- Wood screws ABC Spax 5 x 25 mm
- Screwdriver

Dismounting LockerLock from the door panel

1. Remove the cover of the battery hold with the maintenance tool (page 38).
2. Drill a hole into the cover plugs with the cordless screwdriver and drill bit.
3. Remove the screws from the door panel with the screw driver through the fixing holes.
The cover plugs are removed with the screws.
4. Remove LockerLock from the door panel.

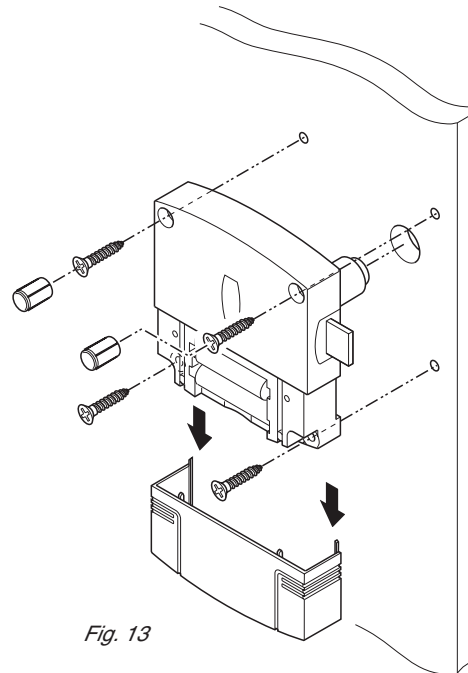


Fig. 13

Setting into Operation

Assigning programming and deletion keys (Stand Alone)

Within the Basic Solution (set choice of lockers), the programming and deletion keys must be assigned at the open door during commissioning.

The Wellness function (free choice of lockers) must be added with the configuration transponder before programming and deletion key are assigned.

English



Prevent misuse of electronic keys by unauthorised persons!

⇒ Store the programming and deletion keys in a safe place since they can be used for assigning locking authorisations to electronic keys.

The following procedure must be carried out quickly and without interruption.

1. Have the green programming key and red deletion key ready.
2. Press the push-button. The green LED in the window of the LockerLock casing flashes for several seconds.
LockerLock is switched on.
3. When the green LED flashes, present the green programming key to the push-button.
The LED lights up green without flashing.
4. Remove the green programming key.
The red LED flashes to confirm the successful „learning“.



If no green programming key is presented within 5 seconds, and the red LED flashes, the sequence must be aborted.

In this case no other key must be presented. Step 2 and 3 must be executed again.

5. When the red LED flashes, present the red deletion key to the push-button.
The green LED lights up as confirmation.

6. Remove the red deletion key stick.
LockerLock switches off automatically.

If an error occurred during the assigning process:

- ⇒ Switch on LockerLock again.
- ⇒ PAssign the programming and deletion keys again.

If the error occurs again:

- ⇒ Contact your Dialock dealer.

Brief User Manual

Assigning locking authorisations via programming key (set choice of lockers)

1. Press the button with the green programming key.
The green LED flashes.
2. When the green LED flashes (approx. 5 seconds), present the electronic key to be learnt to the push-button.
The red LED flashes shortly to confirm the successful „learning“. The green LED remains illuminated without flashing.
The locking authorisation has been assigned to the electronic key to be learnt.
3. Remove the learnt electronic key.
The green LED flashes, LockerLock switches off automatically after approx. 5 seconds.

If the red LED lights up, the procedure has not been successful:

- ⇒ Repeat assigning the locking authorisation..
4. When the green LED flashes, present the next electronic key to be learnt to the push-button within 5 seconds (repeat steps 3 and 4).
 5. After all electronic keys have been learnt successfully: Wait until LockerLock switches off automatically.
All locking authorisations have been assigned.

Withdrawing locking authorisations from single electronic key with deletion key (set choice of lockers)

1. Press the button with the red deletion key.
The red LED flashes.
2. Present the electronic key to be deleted to the push-button.
The red LED switches off.
The locking authorisations have been deleted from the presented electronic key.

Withdrawing locking authorisations from all electronic keys (set choice of lockers)

If an electronic key is lost and therefore shall not be authorised any longer, all electronic keys must be deleted at the LockerLock. After this, locking authorisations must be assigned to all authorised electronic keys again.

1. Press the button with the red deletion key.
The red LED flashes.
2. Present the green programming key to the push-button.
The green and red LED light up shortly after each other.
The locking authorisations have been deleted from all electronic keys.
3. Individually assign locking authorisations to those electronic keys again which are to keep authorisations.

Locking the door

1. Close the door.
2. Press the LockerLock push-button with an authorised electronic key to the stop and keep it pressed for approx. 1 second. Remove the electronic key.
The push-button remains pushed in.
The locking latch is extended, the door is locked.

Unlocking the door

- ⇒ Press the push-button with an authorised electronic key to the stop and keep it pressed for approx. 1 second.
Remove the electronic key.
The push-button projects.
The locking latch is pulled in, you can open the door.

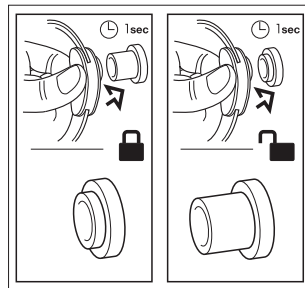


Fig. 14 LockerLock operating instructions

Changing batteries

If the batteries are low, the red and green LED flash alternately after the LockerLock is switched on.

The door cannot be locked any more with LockerLock if the batteries are empty.

Trouble-free operation of the LockerLock can only be ensured if low batteries are changed immediately.

We recommend to change the batteries after 2 years of use in order to avoid possible damage through leaking batteries.

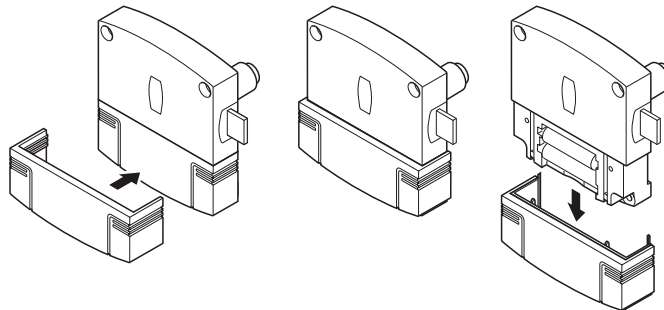
Recommendation: Energizer alkaline-manganese batteries



Do not dispose of batteries through normal domestic waste!

⇒ Batteries should be disposed of in an environmentally-friendly way, e.g. at municipal collection points.

Changing batteries

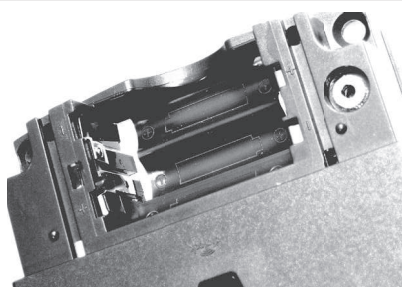


1. Place the maintenance tool on the cover of the battery hold.
2. Press the maintenance tool, push it up slightly; then, together with the battery hold cover, pull it down and away.

3. Remove the empty batteries from the battery hold.
4. Insert new batteries into the battery hold.



Make sure the polarity is correct!



5. Remove the battery hold cover from the maintenance tool and push it onto the battery hold from below. The battery hold is closed.
 6. Confirm battery replacement with the Low-Batt-Key (art. no. 917.42.028, not included in supply).
- After the batteries have been changed, LockerLock is ready for use again.

Standards and regulations

LockerLock complies with the following standard/regulation on which the test/approval were based.

- EN 300 330/May 1999 (frequency spectrum)

Specifications

Operating Temperature Range	0 - 70 °C
Storing temperature range	-20 ... +85 °C
Air humidity (rel. non-condensing)	10 - 90 %
Safety class	IP 40

Care and Maintenance

- ⇒ Failure to comply with these instructions may cause damage or loss of function.
- ⇒ The mechanism of the Dialock Lockerlock requires no maintenance.
- ⇒ Do not oil or grease the Dialock Lockerlock, either with lubricants containing petroleum or any other substance.
- ⇒ Clean the Dialock Lockerlock only with non-viscous cleaning agents or disinfectants which leave no residues.
- ⇒ Do not use corrosive cleaning agents, abrasives, acids or alkalis to clean the Dialock Lockerlock.
- ⇒ Do not spray the Dialock Lockerlock directly with cleaning fluid or disinfectant.
- ⇒ Use only a soft slightly moistened cloth to clean the Dialock Lockerlock.
- ⇒ Ensure that no fluid, cleaning agent or disinfectant can penetrate the Dialock Lockerlock.
- ⇒ Do not use steam jets, high-pressure water jets or similar devices in the vicinity of the Dialock Lockerlock. If necessary, the Dialock Lockerlock must be protected by a suitable cover or protective foil.